

ASSEMBLY INSTRUCTION

SL-3020

SOUTHBAY SUN LOUNGER

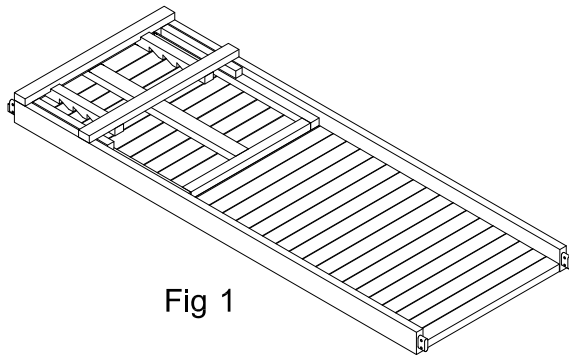


Fig 1

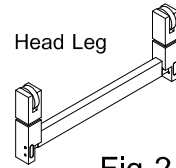


Fig 2

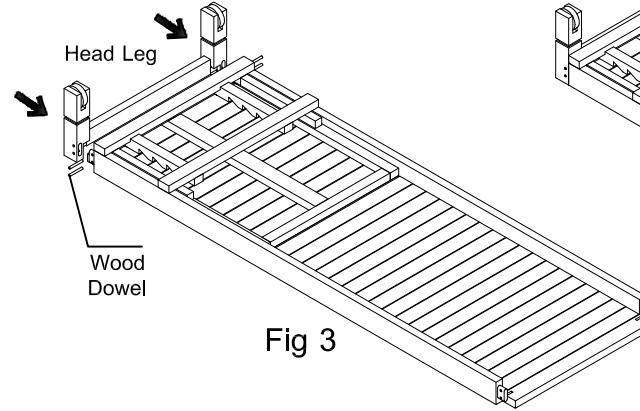


Fig 3

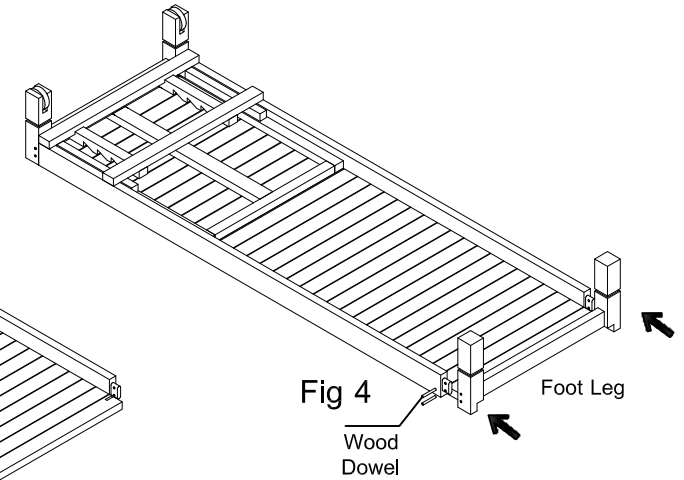


Fig 4

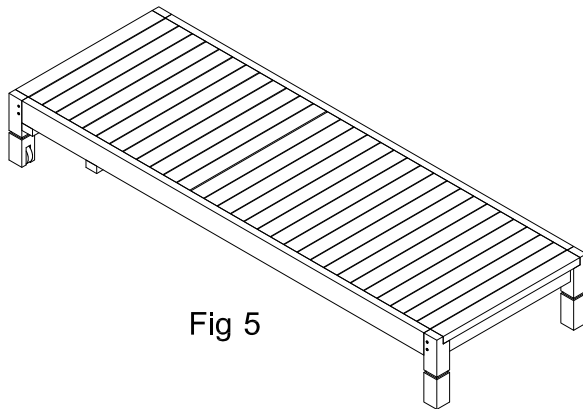


Fig 5

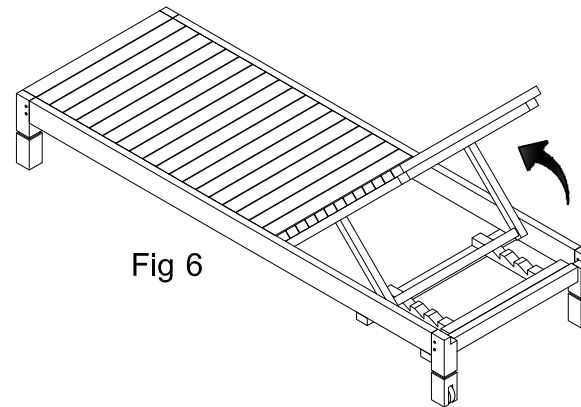


Fig 6

Parts : 1 pc seat , 1 pc head leg, 1 pc foot leg

Hardware packs :
Wood dowels for leg

Tools requirement :
Hammer (not supplied)

Assembling :

1. Prepare the seat (Fig. 1)
2. Prepare the head leg (Fig. 2)
3. Put some glue around mortise of apron seat then insert the head leg into apron of the seat. Put some glue around the wood dowel and put into the head leg (Fig. 3)
4. Put some glue around mortise of apron seat then insert the foot leg into apron of the seat. Put some glue around the wood dowel and put into the foot leg (Fig. 4)
5. Finish assembly
6. Clean the overflow glue using damp cloth while glue is still wet
7. You can open the head of seat (Fig. 6)